

Product availability : Non-Stock - Not normally stocked in distribution facility



### Commercial status

To be discontinued on: 31 December 2022

To be end-of-service on: 31 December 2030

⚠ To be discontinued

### Main

Range of product	Modicon Quantum automation platform
Product or component type	High-speed counter module
Number of channels	5

### Complementary

Number of inputs	8
Addressing requirement	12 output words 12 input words
Data format	2147483647 dec 32 bits 65535 dec 16 bits
Counting input voltage	30 V DC max
Counting input current	7 mA
Counting input type	Discrete incremental counter
Counting frequency	100000 Hz
Duty cycle	1/1 counter input
Discrete input current	5 mA
Operating threshold	15...30 V single ended mode 24 V REF DC at state on 3...5 V single ended mode 24 V REF DC at state off
Discrete output number	8
Discrete output type	Field Effect Transistor (FET)
Discrete output voltage	0 V switch off DC 20...30 V switch on DC
Load current	0.21 A
Maximum leakage current	0.1 mA state off
Maximum voltage drop	<1.25 V state on
Isolation between channels and bus	500 Vrms 60 s
Fault type	Loss of output field power

Disclaimer: This documentation is not intended as a substitute for and is not to be used for determining suitability or reliability of these products for specific user applications.

Output short-circuit protection	Internal
Power dissipation	>= 6 W
Bus current requirement	250 mA
External power requirement	19.2...30 V
Rack type	Local Distributed Remote
Local signalling	for channel status 5 LEDs
Marking	CE
Current consumption	<= 1140 mA 24 V DC external power supply
Module format	Standard

## Environment

Resistance to electrostatic discharge	4 kV contact IEC 801-2 8 kV on air IEC 801-2
Resistance to electromagnetic fields	9.14 V/m (10 V/m) 80...1000 MHz IEC 801-3
Ambient air temperature for operation	32...140 °F (0...60 °C)
Ambient air temperature for storage	-40...185 °F (-40...85 °C)
Relative humidity	95 % without condensation
Operating altitude	<= 16404.2 ft (5000 m)
Standards	UL 508
Product certifications	RINA UL GOST LR CSA Class 1 Division 2 RRS ABS GL DNV C-tick

## Ordering and shipping details

Category	18155 - QUANTUM I/O & POWER SUPPLIES
Discount Schedule	PC21
GTIN	00785901324676
Nbr. of units in pkg.	1
Package weight(Lbs)	1.15 lb(US) (0.52 kg)
Returnability	No
Country of origin	FR

## Packing Units

Unit Type of Package 1	PCE
Package 1 Height	1.97 in (5 cm)
Package 1 width	6.50 in (16.5 cm)
Package 1 Length	12.40 in (31.5 cm)
Unit Type of Package 2	S03
Number of Units in Package 2	7
Package 2 Weight	9.00 lb(US) (4.081 kg)
Package 2 Height	11.81 in (30 cm)
Package 2 width	11.81 in (30 cm)
Package 2 Length	15.75 in (40 cm)

## Offer Sustainability

Sustainable offer status	Green Premium product
--------------------------	-----------------------

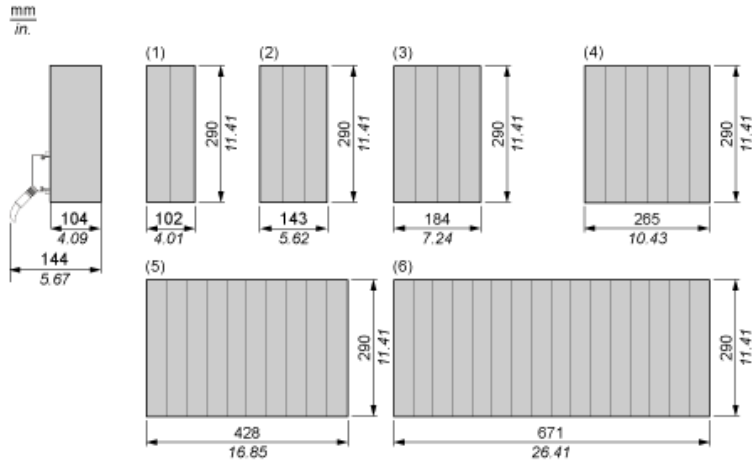
California proposition 65	WARNING: This product can expose you to chemicals including: Lead and lead compounds, which is known to the State of California to cause cancer and birth defects or other reproductive harm. For more information go to <a href="http://www.P65Warnings.ca.gov">www.P65Warnings.ca.gov</a>
REACH Regulation	<a href="#">REACH Declaration</a>
REACH free of SVHC	Yes
EU RoHS Directive	Pro-active compliance (Product out of EU RoHS legal scope) <a href="#">EU RoHS Declaration</a>
Mercury free	Yes
RoHS exemption information	<a href="#">Yes</a>
China RoHS Regulation	<a href="#">China RoHS declaration</a>
Environmental Disclosure	<a href="#">Product Environmental Profile</a>
Circularity Profile	<a href="#">End of Life Information</a>
WEEE	The product must be disposed on European Union markets following specific waste collection and never end up in rubbish bins.

### Contractual warranty

Warranty	18 months
----------	-----------

Racks for Modules Mounting

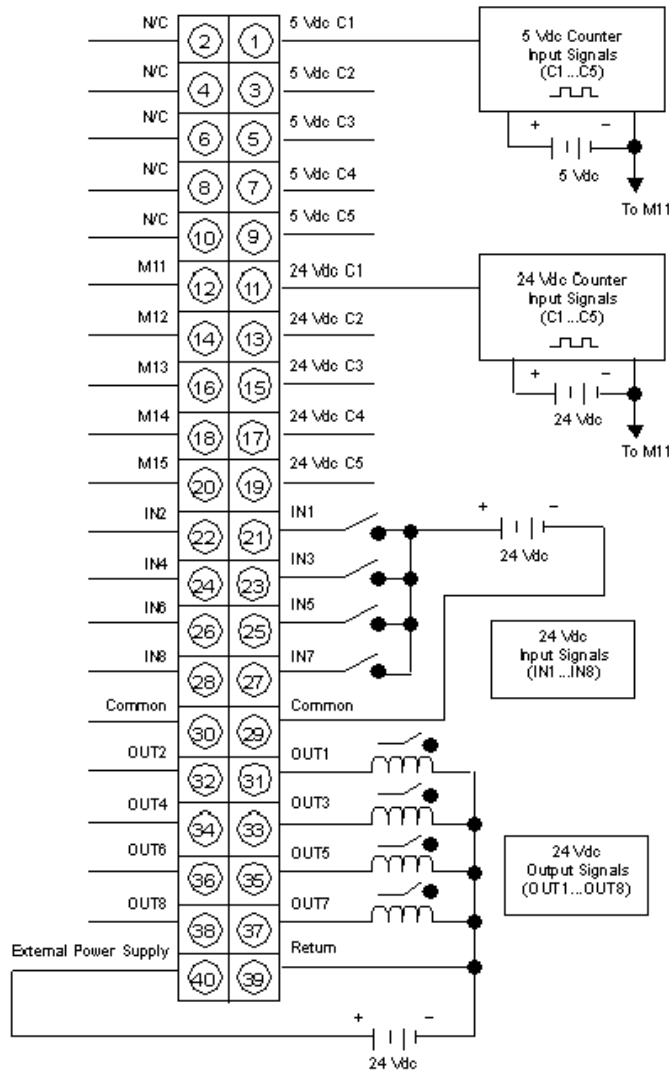
Dimensions of Modules and Racks



- (1) 2 slots
- (2) 3 slots
- (3) 4 slots
- (4) 6 slots
- (5) 10 slots
- (6) 16 slots

Five-Channel Discrete High Speed Counter

Wiring Diagram



N/C Not Connected

Terminals 29 and 30 are jumpered together.

140EHC10500 may be replaced by any of the following products:



Expert module BMXEHC0800

Counter module, Modicon M340 automation platform, high speed 8 channels

Qty 1

Linking to group 1



## Expert module BMXEHC0800

Counter module, Modicon M340 automation platform, high speed 8 channels

Qty 1

Replacement product is not a drop in replacement, contact local sales team for more information

---